

REQUEST/ORDER FAX FOR special u-bolts

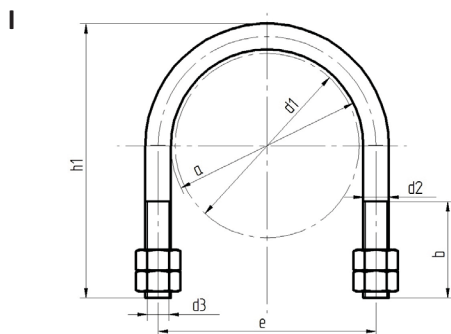
company: _____

name: _____

telephone: _____

fax: _____

Please fill in your requested measures.
 We will get in touch with you as soon as possible.

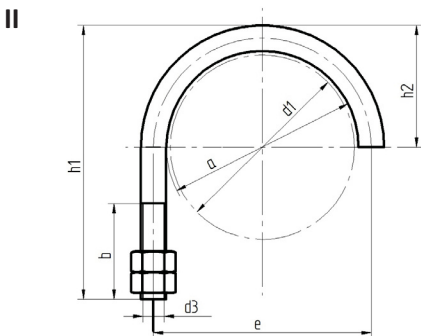


u-bolt

material:

quantity:

type: I O II O III O
 (tick the required type)



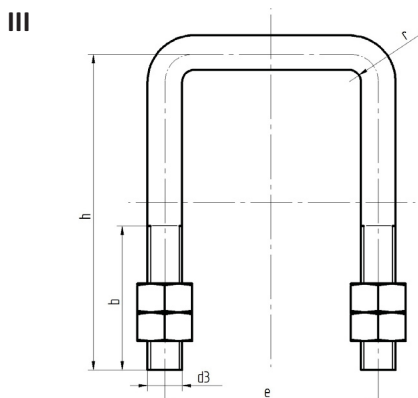
e

a

b

d1

d3



h1

h2

r

signature/stamp _____